



МАРТ

E-MART  
ВАШ ПОСТАВЩИК  
DAHUA

<https://emart.su/brands/dahua/>

Федеральный	8 800 511-77-41
Санкт-петербург	8 812 426-99-66
Москва	8 495 137-99-67
Краснодар	8 861 205-62-66

[www.emart.su](http://www.emart.su)

[mail@emart.su](mailto:mail@emart.su)

# DHI-VTO1201G-P

## Sub Door Station



- Thin lightweight design
- -30°C to +60°C (-22°F to +140°F) operating temperature
- IP65 (Silicone sealant is need. For details, see the quick start guide.).
- IR illumination and night vision
- Two-way audio and voice call through app
- Tamper alarm
- Standard PoE

### Technical Specification

#### System

Main Processor	Embedded processor
Operating System	Embedded Linux operating system
Button Type	Mechanical
Interoperability	ONVIF
Network Protocol	SIP; P2P; IPv4; DNS; RTSP; RTP; TCP; UDP

#### Basic

Camera	1/2.8" 2MP CMOS high definition, low illumination/WDR/color/IR
Field of View	Horizontal: 125°; vertical: 72°; diagonal: 142°
WDR	120dB
Noise Reduction	3D noise reduction
Video Compression	H.264
Video Resolution	Main stream: WVGA, 720P, D1 Sub stream: CIF, WVGA, QVGA, 1080P, D1
Video Frame Rate	PAL:25 fps NTSC:30 fps
Video Bit Rate	256K to 4M
Light Compensation	Auto IR
Day/Night	ICR auto switch

Audio Compression	G.711Mu; G.711u; PCM
Audio Input	1
Audio Output	Built-in speaker
Audio Mode	Two-way audio
Audio Enhancement	Echo suppression and cancellation/digital noise reduction
Audio Bit Rate	16KHz, 16Bit

#### Function

Communication Mode	Full digital
Motion Detection	Video motion detection
Auto Snapshot	Auto snapshot can only be enabled on indoor monitors
Leave Videos	Yes (insert an SD card into the indoor monitor)
Web Configuration	Yes

#### Performance

Casing	PC+Acrylic
--------	------------

#### Port

Network	1 10M/100M network port
---------	-------------------------

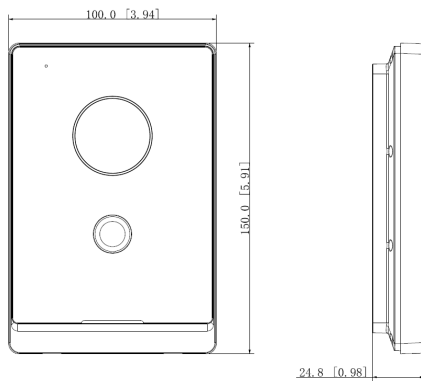
#### Alarm

Tamper	Yes
--------	-----

#### General

Color	Black plate & silvery frames
Power Supply	12V DC 1A Standard PoE
Installation	Surface mount
Certifications	CE/FCC
Accessory	Brackets and alarm ribbon cable
Dimensions	150 mm × 100 mm × 24.8 mm (5.91" × 3.94" × 0.98")
Protection Grade	IP65 (silicone sealant is needed, see the quick start guide)
Operating Temperature	-30°C to + 60°C (-22°F to +140°F)
Operating Humidity	10%RH–90%RH (non-condensing)
Operating Environment	Outdoor
Operating Altitude	Beneath 3000 m (9842.51 ft)
Power Consumption	Standby≤1W, working≤7W
Gross Weight	490 g (1.08 lb)

## Dimensions (mm[inch])



## Application

